

TOUGH DECKING

**15 YEAR
WARRANTY**

Composite Decking Without Compromise!

- 
- ✓ ANTI SLIP - EVEN WHEN WET
 - ✓ SPLINTER FREE
 - ✓ PET FRIENDLY
 - ✓ 15 YEAR WARRANTY
 - ✓ ANTI ROT
 - ✓ VIRTUALLY MAINTENANCE FREE
 - ✓ SELF CLEANING PROPERTIES
 - ✓ ANTI FADE FULL BODIED COLOURING
 - ✓ ECO FRIENDLY
 - ✓ LUXURY - AFFORDABLE - EVERLASTING

www.toughdecking.co.uk

 **01803 313211**

TOUGHDECK
WOODSMAN+

TOUGHDECK
ACTIVE+

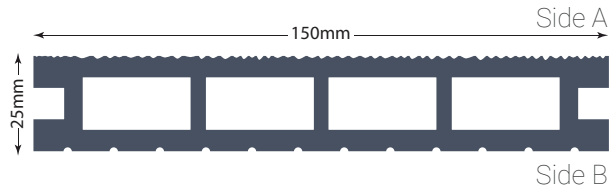
TOUGHDECKING

Woodsman+ & Active +

All tough decking boards come with two distinctive finishes, Woodsman+ & Active+. All boards are high-quality commercial grade 150mm wide x 25mm deep composite decking boards suitable for both domestic and commercial environments. The Woodsman+ side has an elegant wood grain moulded surface, Active+ is a simple minimalist clean grooved surface.

Both sides are designed to be highly anti-slip in both wet and dry conditions. Both sides are also gentle and comfortable to walk over bar foot and requires little to no maintenance. Once installed either surface is easy to clean.

Combined with any of the Tough Deck simple-to-use concealed fixing clips, both surfaces when laid, provide a beautiful clean anti-slip deck that can be enjoyed all year round.



REVERSIBLE

Woodsman +



Active +

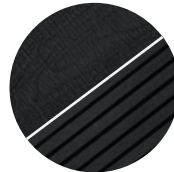
**15 YEAR
WARRANTY**

Board Size: 150 x 25 x 2200mm

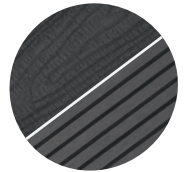
Coverage: 0.33m² per board

Available Colours

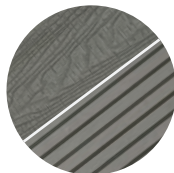
Charcoal



Anthracite Grey



Stone Grey



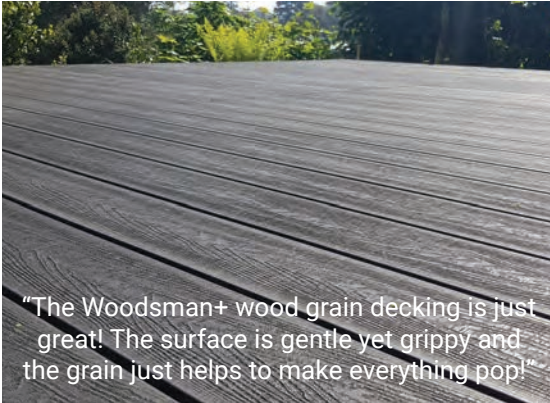
Chocolate Brown





TOUGHDECK

WOODSMAN+



"The Woodsman+ wood grain decking is just great! The surface is gentle yet grippy and the grain just helps to make everything pop!"





TOUGHDECK

ACTIVE+



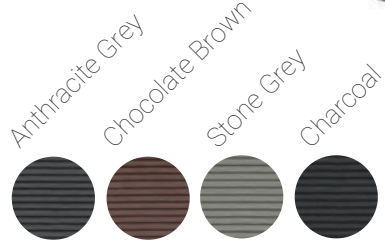
“Night or day, wet or dry, Tough Decking will bring your outside areas to life”



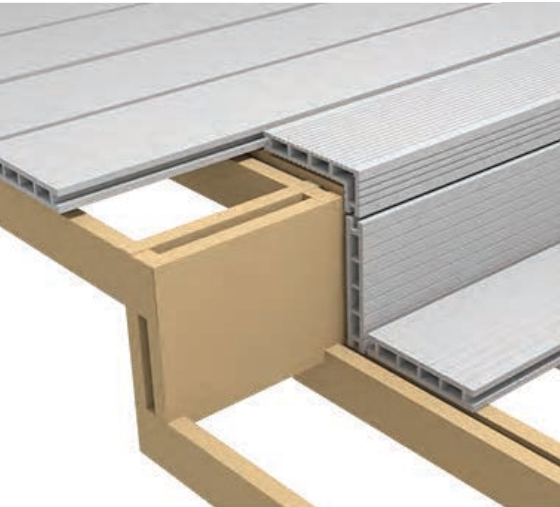
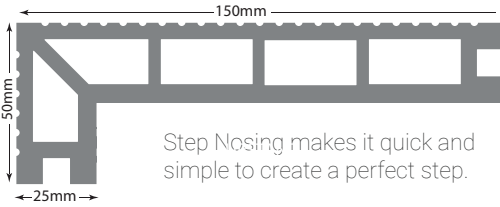
TOUGHDECKING

Composite Step Nosing

Tough Deck step nosings make it super easy to create attractive sturdy steps. Available in both woodgrain and active groove finishes to match with your deck. Both nosings like the deck boards are all designed with an anti-slip surface. They match in and finish off your steps and deck edge to perfection.



Available in all four colours

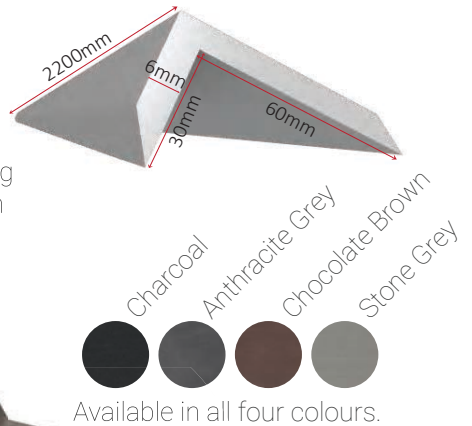




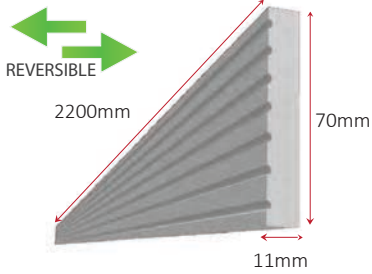
TOUGHDECKING

Composite Corner Trim

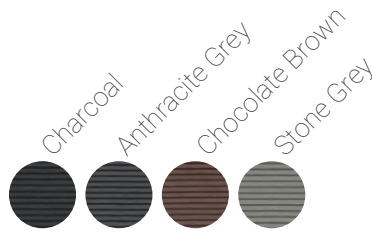
Tough Deck corner trims are the simplest way to finish off any decking edge. They are ideal for hiding uneven or messy edge cuts and junctions between vertical and horizontal boards.



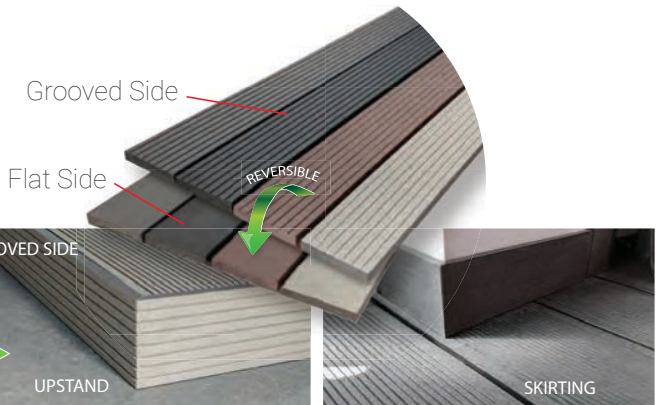
TOUGHDECKING Composite Fascia / Skirting Board



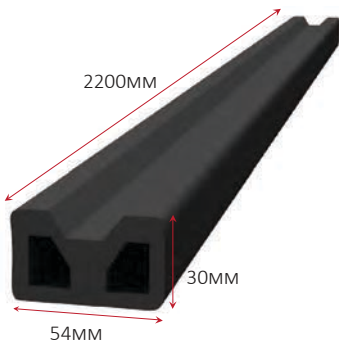
Tough Deck fascia / skirting boards are ideal for creating upstands or finishing off the edge of your decking. They can be used to hide the expansion / contraction gap around the perimeter of the deck or can be installed to the leading edge of the deck to provide a neat, clean finish. Fully reversible, each fascia board has a grooved side and a flat side for maximum versatility.



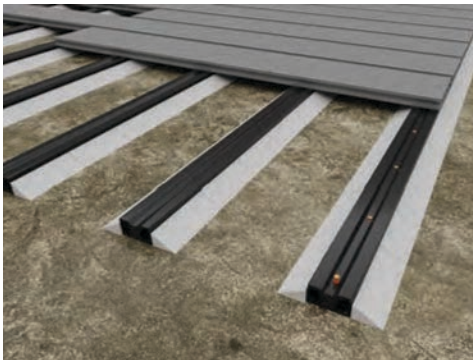
Available in all four colours.



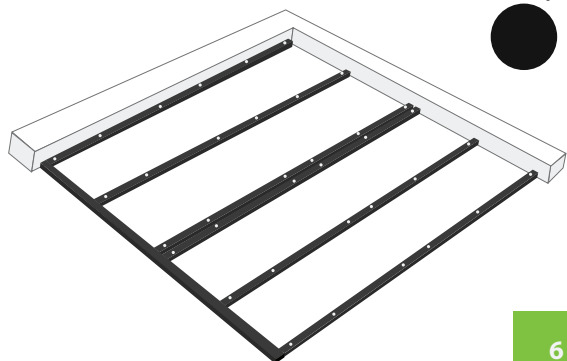
TOUGHDECKING Composite Joist



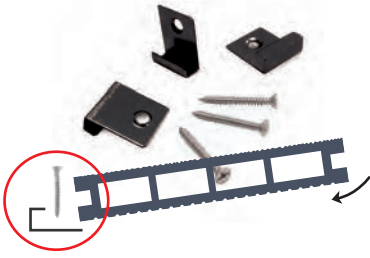
Tough Deck composite joists are designed to lay directly onto a flat solid sub-base such as concrete, paving slabs, or flat roofs. They will not rot or deteriorate like wood if left wet for extended periods of time. This makes them ideal for areas where a wood subframe is not able to be installed. The joists can be screwed, glued, or concreted down in accordance with the fitting instructions.



Available in black only



TOUGHDECKING



Black Powder Coated Stainless Steel Starter Clips.

Tough Decking starter clips are easy to use and work as a concealed hidden fitting. They are used to start and finish your deck. They are used to hold down the outer edge of the first and last decking boards. They can also be used with Tough Deck step nosing's. Supplied complete with stainless steel PZ2 screws.



TOUGHDECKING

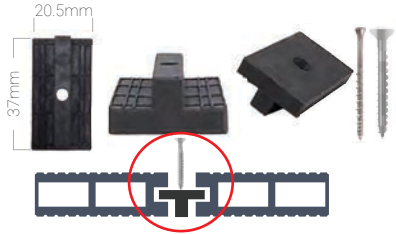


Black Powder Coated Stainless Steel T-Clips.

Tough Decking stainless steel T-clips are designed for strength and longevity. They are a simple easy to use fixing which pre-spaces each board perfectly. They also allow individual boards to be removed from a completed deck for access if needed. Supplied with stainless steel PZ2 screws.



TOUGHDECKING

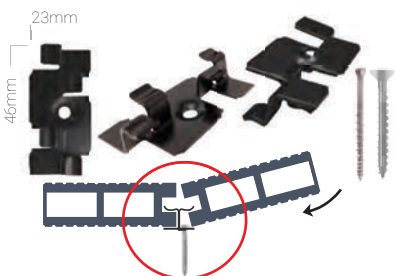


Black Plastic T-Clips

Tough Decking black plastic T-clips are a cost effective low cost fixing. They are a simple easy to use fixing which pre-spaces each board perfectly. They also allow individual boards to be removed from a completed deck for access if needed. Supplied with stainless steel PZ2 screws.



TOUGHDECKING

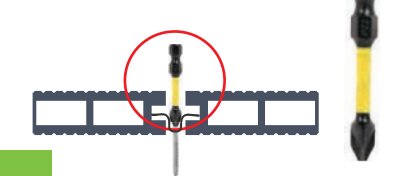


Black Powder Coated Stainless Steel X-Clips

Tough Decking stainless steel concealed X-clips are designed for those who want minimal gaps between boards. Made from stainless steel for strength and longevity. They are a simple hidden fixing which also pre-spaces each board perfectly. Supplied with stainless steel PZ2 screws.



TOUGHDECKING



Pz2 Extended Drill Bit

Using an extended 50mm Pz2 bit with round cylindrical shaft will allow easy fitting of all Tough Decking clips and fastenings. When using Tough Decking T-clips, screws can be fitted down between or removed up through two deck boards. This allows easy access under a deck area.

TOUGHDECKING Fitting Instructions

Composite Decking Fitting Instructions

Before fitting composite decking, the material should be left for a minimum of 24 hours in the area it is to be fitted. The decking will expand and contract slightly in different weather conditions. The surface colour will also fade slightly (more so on light colours) but this will stabilise after the first 6 months. Composite decking can be worked with normal wood-working tools. A hand saw or chop saw is ideal for cutting the boards and trims to length.

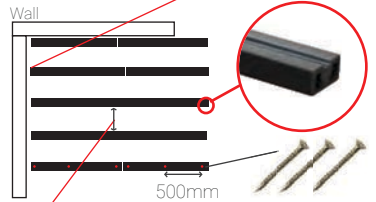
1: Supporting Substructure

Composite decking must not be laid directly on the subfloor. Decking boards must be fixed to composite joists if installed over a flat, solid sub-surface. If the decking needs to be raised then a suitable timber frame can be installed first.

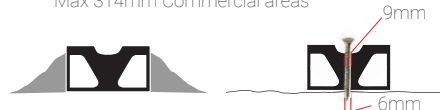
The supporting base must be installed with a slight fall, (minimum 1/30) and ideally away from the property. The water must be able to run along and down the length of the decking boards so it can drain off the ends. All supporting joists should be installed in parallel lines at 90 degrees to the decking. All supporting joists should be installed at even centres. Domestic areas must have a maximum of 370mm centres between supporting joists with commercial areas reducing to a maximum of 314mm centres.

If using composite joists, they should be fixed directly to a solid base using thunderbolt joist screws or concrete haunchings. Joists must be fixed in parallel lines with a 10mm spacing at either end. If using thunderbolts: Step 1, drill a 6mm hole through the deck joist into hardstanding to a depth suitable for fixing. Step 2, drill a 9mm hole through the joist only. Stop when the drill gets to hard standing. This allows the bolt to be held firmly into the concrete but still allows space for the joist to expand and contract. Step 3, screw the bolt down into the concrete until the head is level with the top of joist. Do not over-tighten or pull head into joist. Step 4, repeat every 500mm along joist and 100mm from each end of each joist. When gluing or using concrete haunchings to fix joists in place extra care should be taken to fix the first and last rows of joists in place to make sure they do not come loose or move. Ideally, these rows should be screwed down with thunderbolts.

Composite joists require a 10mm gap at both ends



Max 370mm Domestic areas
Max 314mm Commercial areas

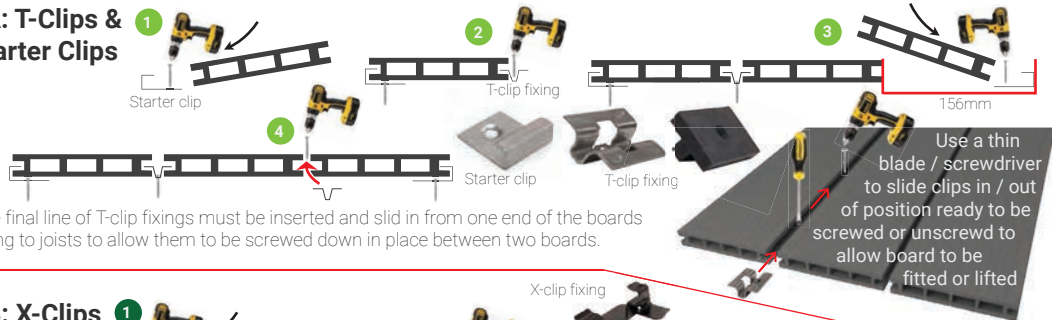


Joists can be screwed down or concrete / adhesive haunching can be used.

2: Fixing Decking Boards to Composite or Wood Joists

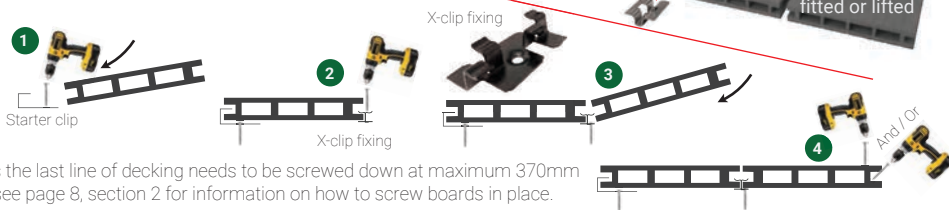
Starter, T-Clip or X-Clip fixings should be used to hold the decking boards in place. Boards can be screwed down if using clips is not possible. If screwing down boards pilot holes must first be made through deck support columns minimum of 20mm away from any board edge. All screw heads must also be countersunk prior to the screw being inserted. A 3-6mm gap must be maintained between all board ends. All decking joints / ends should be staggered. **NOTE:** It is important to never overtighten clips. Clips must be tight to hold all decking firmly in place but never tightened so much as to damage or deform the clip. Impact drivers must never be used to screw clips or boards in place. If clips are over tightened the gaps between boards can be forced open damaging clips and boards.

2A: T-Clips & Starter Clips



The final line of T-clip fixings must be inserted and slid in from one end of the boards along to joists to allow them to be screwed down in place between two boards.

2B: X-Clips



4: If using X-clips the last line of decking needs to be screwed down at maximum 370mm centres. Please see page 8, section 2 for information on how to screw boards in place.

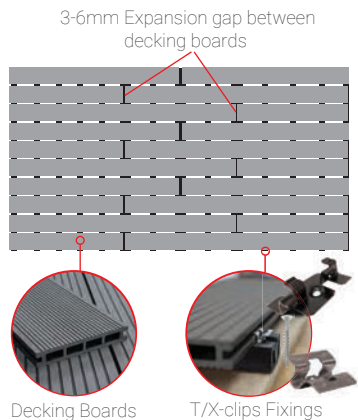
Steps 2A & 2B 1-4 above shows how Starter clips, T & X-clips are installed with stainless steel screws to start, continue and finish a decking area.

Step 2A part 4 shows how T-clips can also be slid between two decking boards and using a thin driver head, be screwed down or removed to allow boards to be installed or removed.

All decking board ends and sides must all be fully supported and fixed securely down to supporting joists. Each decking board must also be fixed securely on both sides to every supporting joist.

T-clips are designed to space the decking boards evenly but also allow for a small margin of expansion and contraction.

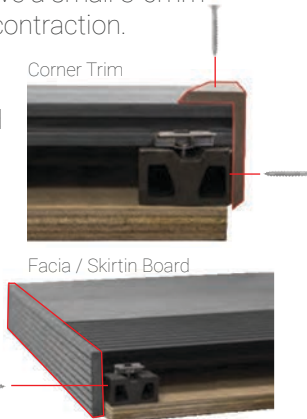
All board ends must be fixed down and fully supported by a joist (deck board ends should not overhang by more than 30mm at any point). Where two board ends meet, two joists and four clips will be required, one joist and two clips for each board end. Do not use one T or X-clip to bridge two board ends. A 10+mm gap must be left at all ends and sides of the deck and any solid surface such as walls. If multiple boards are laid end to end leave a small 3-6mm expansion gap at the end of each board to allow for expansion and contraction.



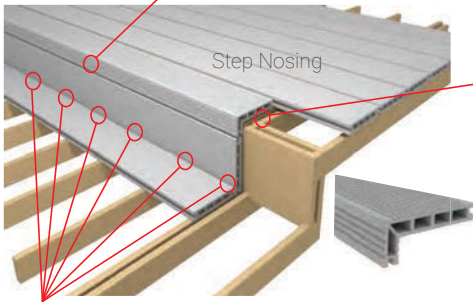
3: Edges / Trims / Step Nosing / Finishing.

Once all boards have been fixed in place any uneven edges, exposed joists, or steps can be finished using our composite profiles in matching colours.

Skirtings and L profiles can either be screwed or glued in place depending upon the fitting location. In high-traffic areas trims must be screwed top and bottom at maximum 470mm centres into the supporting sub-frame. All our composite decking, trims and profiles are full-bodied meaning the colour runs all the way through the material top to bottom. This allows the material to be sanded to remove damage or refine any miscut edges or corners.



Run multiple lines of suitable exterior grade silicone along the under side of the vertical and horizontal surfaces of the step nosing.



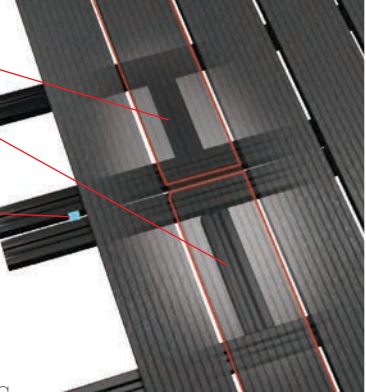
Install double joists to end of all board and step edge nosings



Install starter clips on all first and last vertical and horizontal deck boards. Alternatively, a mechanical fixing can be used if boards need to be cut down.

We also recommend!

For commercial and high traffic areas and areas prone to movement, add a level nogging centrally under each deck board end. This provides extra support and stability to all board ends.



Add a 25mm spacer between all double joists to allow for drainage and optimal support

DO'S & DON'TS

DO:

- ✓ Follow the installation instructions.
- ✓ Allow the decking 24 hours to acclimatise before fitting.
- ✓ Take weather into account when allowing for expansion and contraction gaps.
- ✓ Install the decking with a fall along the length of the boards.
- ✓ Fully support and fix down all board ends with two fixings and one joist per end (double joist all joints / board ends).
- ✓ Keep decking clean and wash regularly for first month with light detergent and rinse with fresh water.
- ✓ Support and fix down all board ends directly to supporting joists.
- ✓ Stagger all end joints.
- ✓ Sand down any roughly cut edges with a course 40 - 60 grit sandpaper.
- ✓ Always make a pilot hole & pre counter sink screw heads when screwing into decking.

DON'T:

- ✗ Do not lay waterproof or airtight mats, covers or other flat objects directly onto the decking.
- ✗ Do not forget the decking will expand and contract so leave an appropriate expansion gap around the perimeter of your deck.
- ✗ Do not lay / install the decking boards directly onto sub floor.
- ✗ Do not install the decking completely flat.
- ✗ Do not install the decking on an uneven surface.
- ✗ Do not exceed the stated support frame centres.
- ✗ Do not power wash the decking above 30-bar.
- ✗ Do not block the ends of the boards.
- ✗ Do not heat the surface, middle or underside of the boards.
- ✗ Do not overtighten clips or use impact driver when installing decking boards.

Before starting the installation, make sure to wear protective clothing such as gloves, safety goggles, suitable footwear and dust mask so work can be carried out safely.

Fast National Delivery Service

Next Day National Delivery Service

Small Parcels From £8.34 + VAT

Decking From £49.99 + VAT (Weight Limit Applies)

2-3 Working Day National Delivery Service

No Weight Limit Deliverys From:

- £119.99 + VAT
Free On all Orders Over £1200 + VAT
- £159.99 + VAT
Free On All Orders Over £1500 + VAT
- £249.99 + VAT
Free On All Orders Over £2500 + VAT
- Local Pick Up & Delivery Available

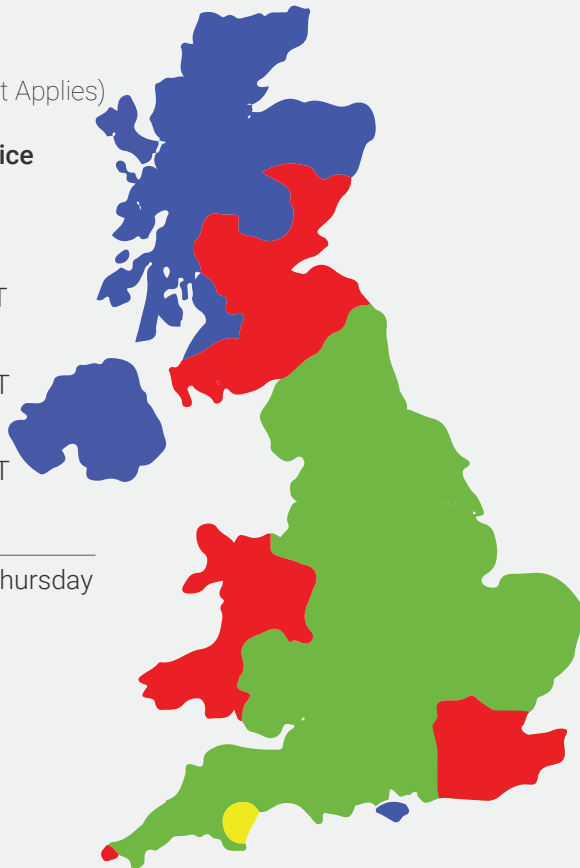
Business Hours: 8am - 5pm Monday - Thursday
8am - 4pm - Friday

Visit Us

Why not come and visit our showroom where you can pick up samples and orders experience Tough Decking for yourself.

If you email us a plan of your area or drop in with your measurements we are happy to work out a quotation for you including any ancillary items you may require.

Our time and advice are FREE, and we are always happy to help.



☎ +44 (0)1803 313211

✉ sales@toughdecking.co.uk

www.toughdecking.co.uk

Tough Decking

Showroom / Office
Unit 8-9, Trojan Ind Est
Borough Close,
Paignton, TQ4 7EP

Company Registered No: 5466356 VAT No: 861 1614 42

©2024 Tough Decking Due to printing restraints actual colours may vary from those shown in the brochure. Colours and sizes may change without notice.



Leave us a review



Leave us a review

